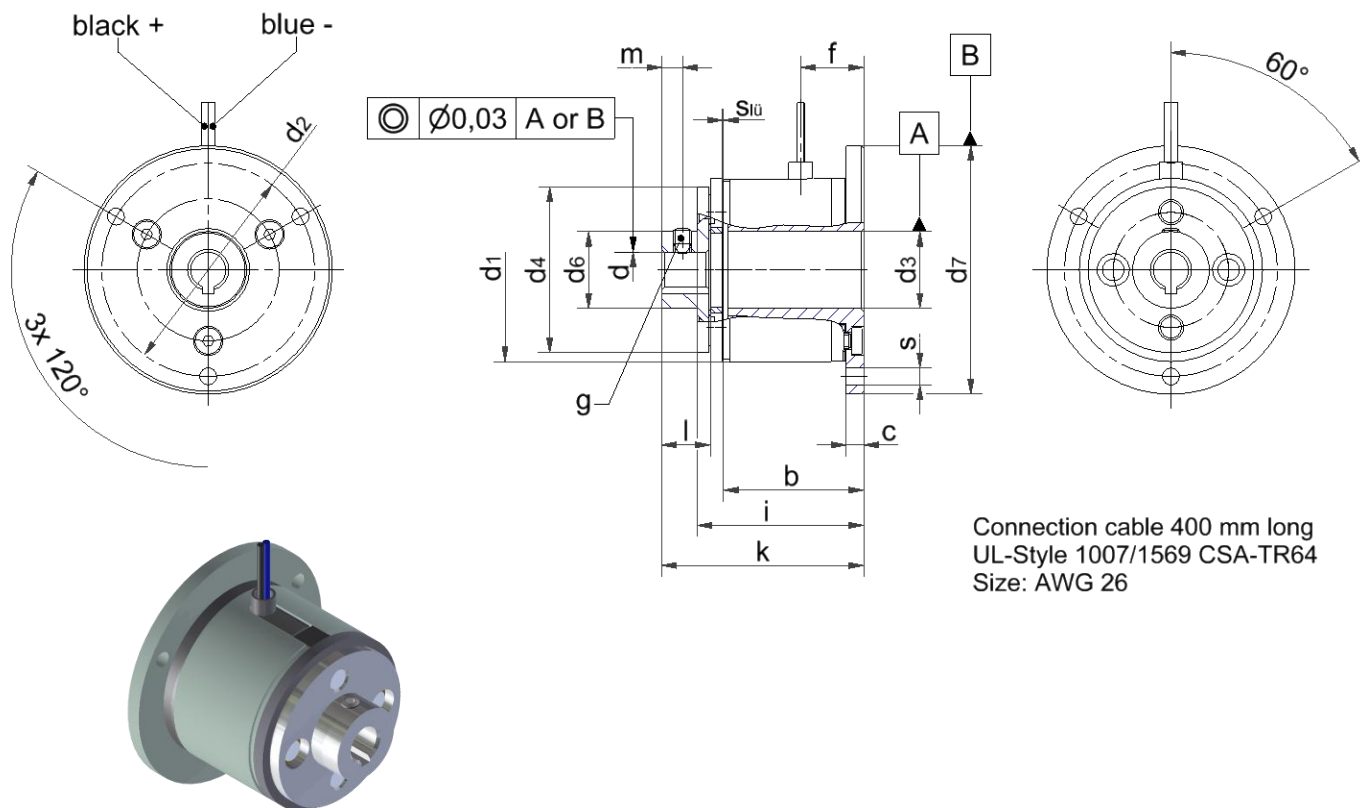


### Permanent Magnet Brake Type 14.120.\_\_.101



Size	M <sub>min</sub> [Nm]	b	c	d H7			d <sub>1</sub> h <sub>10</sub>	d <sub>2</sub>
03	0,6	23,7	3	5	6	8	31	36
05*								

Size	d <sub>3</sub> H <sub>10</sub>	d <sub>4</sub>	d <sub>6</sub>	d <sub>7</sub> h <sub>10</sub>	f	g DIN 916	i
03	13	28	13	42	10,7	M3	28,15
05*							

Size	k	l	m	s	slü	P <sub>20°C</sub> [W]
03	34,15	8	3,5	2,9	0,15+0,1/-0,05	10
05*						

Dimensions in mm  
 Standard voltage 24V +5%/-10% according to VDE 0580  
 Temperature class B (130°C)  
 \* Size 05: tbd